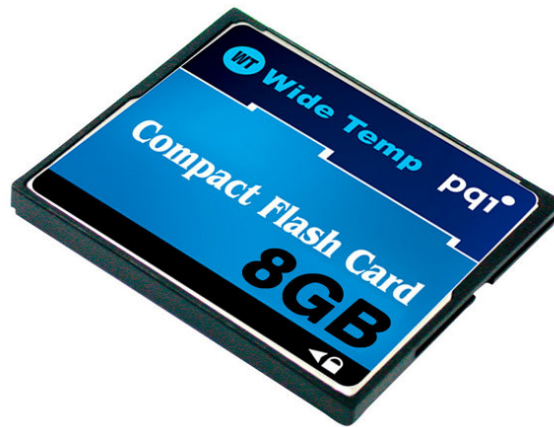


**Wide Temp CF Card**  
**AC65-XXXXR04X3(4,7,8)**



# Wide Temperature CompactFlash Card

---

## Table of Contents

1. Product Description .....	1
1.1 Product Overview .....	1
1.2 Product Features .....	1
1.3 System Requirement .....	1
2. Specification .....	2
2.1 Physical Specification .....	2
2.2 Electronic Specification .....	4
2.3 Performance Specification .....	5
2.4 Environmental Specification .....	5
2.5 Reliability Specification .....	6
2.6 Compliance Specifications .....	6
3. Function .....	7
3.1 Pin Signal Assignment .....	7
3.2 Card Capacity and Cylinder, Head, Sector .....	8
4. Ordering Information .....	8

# Wide Temperature CompactFlash Card

---

## List of Figures

Figure 1: CompactFlash Storage Card Overlook Diagram .....	2
Figure 2: CompactFlash Storage Card Dimensions .....	3
Figure 3: CompactFlash Storage Card Block Diagram .....	4
Figure 4: CompactFlash Storage Card Signal Connector .....	7

# Wide Temperature CompactFlash Card

---

## List of Tables

Table 1: CompactFlash Storage Card Physical Dimension.....	3
Table 2: CompactFlash Storage Card Pin Assignment.....	7
Table 3: DiskOnModule Ordering Information.....	8

# Wide Temperature CompactFlash Card

---

## 1. Description

### 1.1 Product Overview

AC65-XXXX is **CompactFlash™** based on flash memory controller technology. This card complies with **CompactFlash™** specification, it is suitable for the usage of data storage memory for PC or other electric equipment and digital still camera. This card is equipped with NAND flash memory. By using this card it is possible to operate stability for the system that have **CompactFlash™** slots.

Fixed mode (045A)~AC65-XXXXR04X4(8) disk use in system storage, some operating system can not accept boot-up from removable mode (848A)~AC65-XXXXR04X3(7) disk like windows XP, when we boot-up from CFC with windows XP, the system detect the device will disable Removable device boot-up function, so the system can not finish the boot-up process. For this issue, we can setting the device mode to Fixed mode (045A) to solve this problem. The CFC setting to Fixed or Removable mode will no any function different or issue.

### ● Application Fields;

- Industrial PC and Thin Client
- Game and Telecommunication Machine
- Ticketing, Examining, testing machine
- Army, Health and Production Equipment and Machine

### 1.2 Features

- 32MB~8GB flash memory card.
  - CompactFlash™ specification: PCMCIA ver.2.1 and PC Card ATA ver.2.01 compatible 50pin SMT connector and type I (3.3mm).
  - 3.3V/5V single power supply operation.
  - Internal self-diagnostic program operates at VCC power on.
  - 3 variations of access mode:
    - Memory Card Mode, I/O Card Mode, True-IDE Mode.
  - High reliability based on internal ECC (Error Correcting Code) Function.
  - Data reliability is 1 error in  $10^{14}$  bits read.
  - Support PIO Mode4 and Multi-word DMA mode2.
  - Operation Temperature range: -40 to 85 °C.
  - Power Consumption (3.3V/ 5.0V).
  - High Performance:
  - AC65-XXXXR04X3 (4) have hardware (switch) to execute write protect function, but AC65-XXXXR04X7(8) is not.
- Notes: The performance will depend on different platform with different test result.

### 1.3 System Requirement

- The Host system which is connected to DiskOnModule should meet system requirements at minimum;

#### 1.3.1 Power Requirement

- Voltage: DC +3.3V  $\pm$  5% or DC +5.0V  $\pm$  10%

#### 1.3.2 Operating System

- Windows 2000/XP
- Linux
- DOS
- WinXP Embedded
- WinCE

#### 1.3.3 Interface

- IDE (ATA) Standard Interface

# Wide Temperature CompactFlash Card

---

## 2. Specification

### 2.1 Physical Specifications

#### 2.1.1 Overlook

The overlook views of DiskOnModule are illustrated in Figure 1.

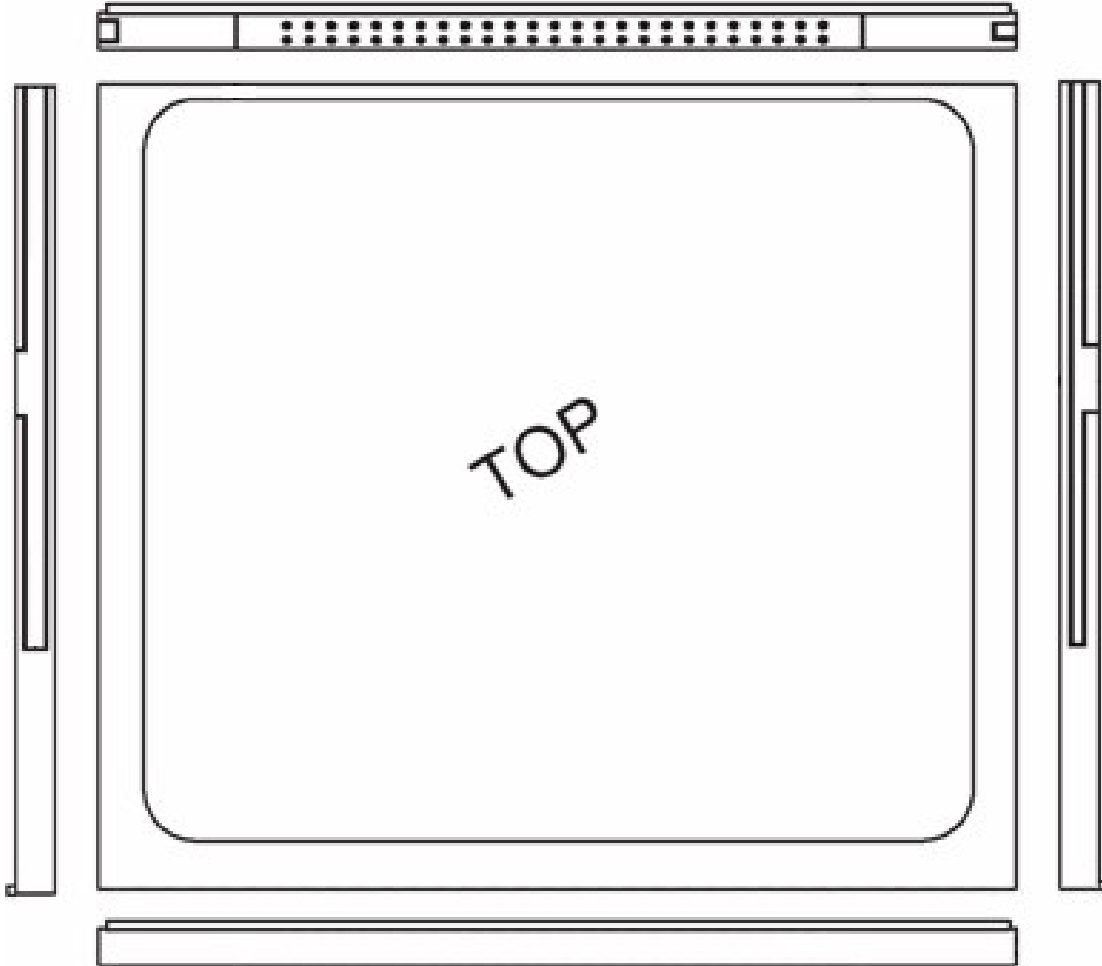
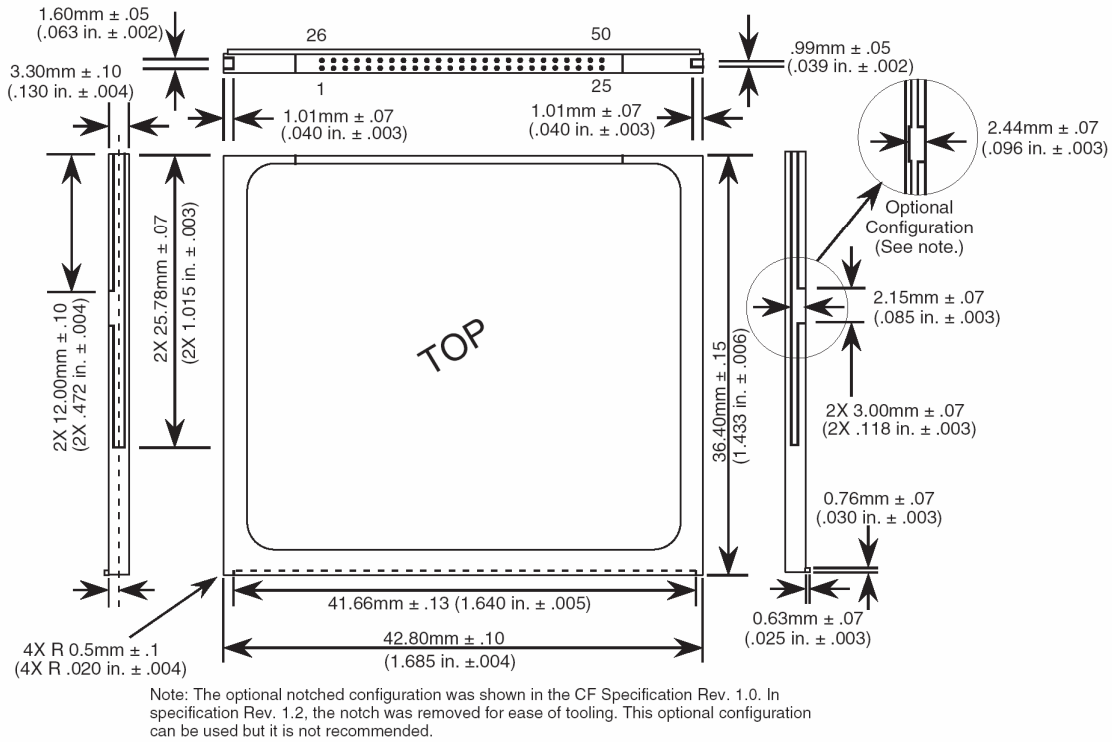


Figure 1: CompactFlash™ Storage Card Overlook Diagram

# Wide Temperature CompactFlash Card

## 2.1.2 Dimension

The Dimensions of CompactFlash™ Storage Card are illustrated in Figure 2 and described in Table 1.



**Figure 2: CompactFlash™ Storage Card Dimensions**

**Notice** The optional notched configuration was shown in the CFA specification Rev. 1.0 in specification Rev. 1.2, the notch was removed for ease of tooling. This optional configuration can be used but is not recommended.

**Table 1: CompactFlash™ Storage Card Physical Dimension**

<b>Length</b>	36.4 ±0.15 mm (1.433 ±0.006in.)
<b>Width</b>	42.8 ±0.10 mm (1.685 ±0.004in.)
<b>Thickness (Including Label Area)</b>	3.3 ±0.10mm (0.13 ±0.004in)

## 2.1.3 Weight

- Weight: 11.5g

# Wide Temperature CompactFlash Card

## 2.2 Electronic Specifications

### 2.2.1 Product Definition

The CompactFlash™ Storage Card contains a single chip controller and flash memory module(s) in a matchbook-size package with a 50-pin connector consisting of two rows of 25 female contacts each on 50 mil (1.27mm) centers. The controller interfaces with a host system allowing data to be written to and read from the flash memory modules(s).

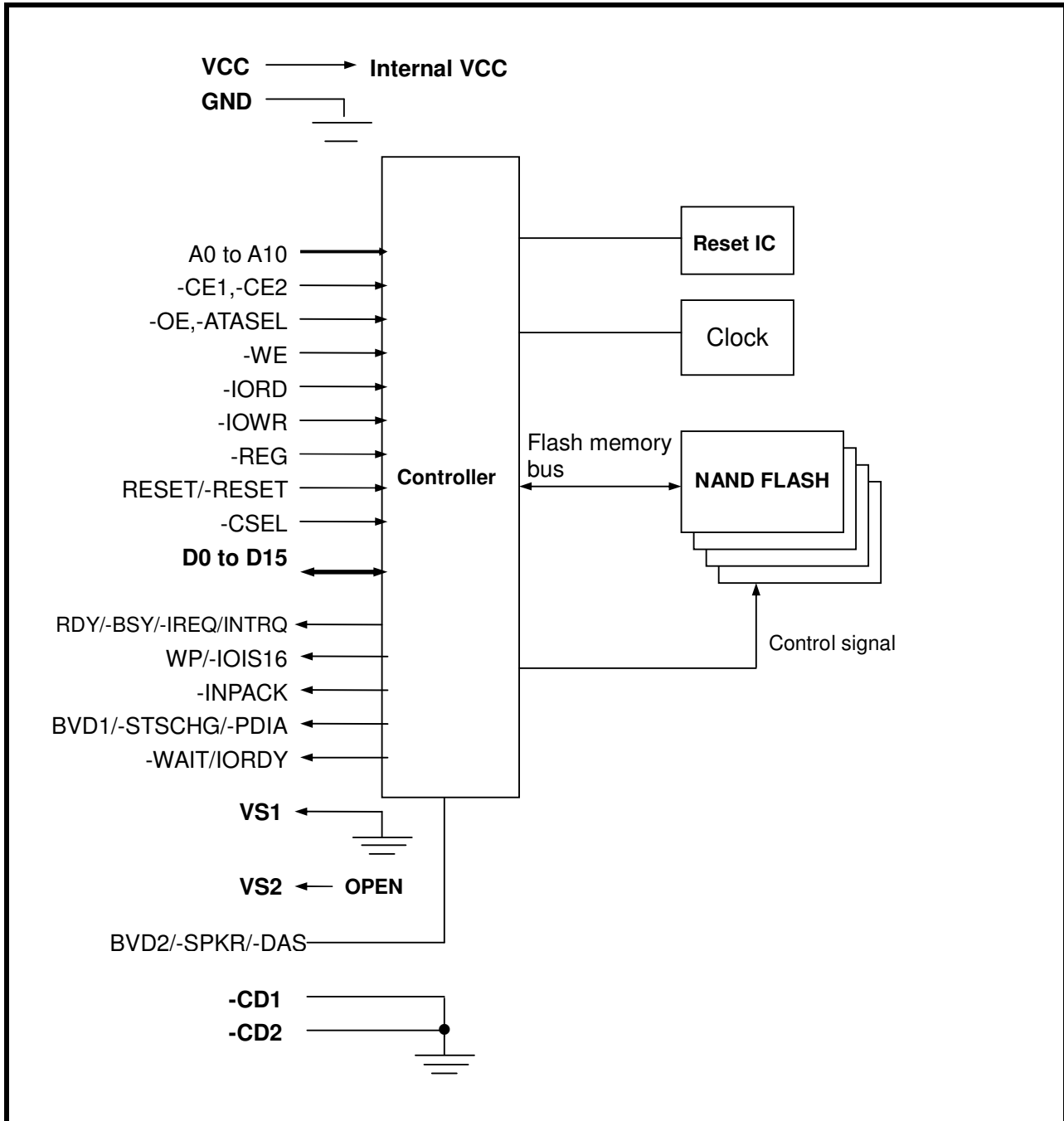


Figure 3: CompactFlash™ Storage Card Block Diagram

### 2.2.2 Operating Voltage

- Voltage DC +3.3V ± 5% or DC +5.0V ± 10%

### 2.2.3 Capacity and Block Size information

- Capacity: 32MB ~ 8GB
- Sector Size: 512Bytes



# Wide Temperature CompactFlash Card

---

## 2.2.4 Power Consumption (3.3V/5.0V)

- Current Information
- Active Mode: 24.1 mA / 26.5mA (3.3v / 5.0v)
- Sleep Mode: 200 uA / 300 uA (3.3v/ 5.0v)

## 2.3 Performance Specifications

### 2.3.1 Modes

- Memory Card Mode
- I/O Card Mode
- True-IDE Mode
- PIO Mode 4 and Multit-wordDMA mode2

### 2.3.2 Data Transfer Time

- Sequential Read: Up to 8.9MB/s.
- Sequential Write: Up to 7.3MB/s.

※ Test Platform: Average Value based on Serial ATA 1.0 Mode

MB 1: Giga BX2000/Chipset: Intel 440BX+8671/CPU: P2-450MHz SDI33 256MB

MB 2: MSI 6566E / Chipset: Intel 845E\_Ich4/ CPU: P4-1.8GHz DDR266 256MB

Testing Software: HD Bench 3.4 & Qbench

**Notice** The value is various bases on the testing platform.

### 2.3.3 Data Retention

- 10years without requiring power support

**Notice** The Value of Data Retention is various bases on the type and manufacturer of Flash Memory

### 2.3.4 Wear-leveling

- Dynamic Wear-Leveling for same level of Write/Erase Cycle

### 2.3.5 Bad Block Management

- The Bad Blocks of Flash Memory will be replaced into new ones by controller.

## 2.4 Environmental Specifications

### 2.4.1 Temperature

- Operating Temperature: -40°C to +85°C, Non Operating Temperature: -55°C to +95°C (Wide Temperature type)

### 2.4.2 Humidity

- Operating Humidity: 8% to 95%
- Non-Operating Humidity: 8% to 95% (with no condensation relative humidity)

### 2.4.3 Bare Drop Testing

- Testing Conditions: 75cm height
- Testing Orientation: (Free fell) Front/Rear/Right/Left/Top/Bottom side
- Testing Result: Pass

### 2.4.4 Vibration

- Random Vibration (Operation) : Testing Specification

- 

Frequency (Hz)	PSD (G <sup>2</sup> /Hz)	Acceleration (Grms)	Dwell Time (Min)
10	0.01	6Grms	30min per axis (X · Y · Z)
100	0.08		
500	0.08		

# Wide Temperature CompactFlash Card

---

- Random Vibration (Non-Operating): Testing Specification

Frequency (Hz)	PSD (G <sup>2</sup> /Hz)	Acceleration (Grms)	Dwell Time (Min)
10	0.1	6Grms	30min per axis (X · Y · Z)
100	0.04		
500	0.04		
2000	0.004		

- Frequency Range: 3 ~ 2000Hz
- Testing Result: Pass

2.4.5 Shock and Altitude  
T. B. D.

## 2.5 Reliability Specification

### 2.5.1 ECC/EDC (Error Correction Code/Error Detection Code)

- 1bytes data by 128bytes will be corrected.

### 2.5.2 Read and Write/Erase Cycle

- Read: No Limitation
- Program/Erase: 5,000,000 times  
(Estimated on reference to Doc No.SM070001)

### 2.5.3 MTBF (Mean Time Between Failure)

- 2,000,000 hours  
(Estimated on reference to Doc No.SM070002)

## 2.6 Compliance Specifications

- CE
- FCC

※ Note: Please contact your closest PQI's office for other certificate information.

# Wide Temperature CompactFlash Card

## 3. Function

### 3.1 Pin Signal Assignment

- The signals assigned for CF Card applications are described in Figure 5 and Table 2;



Figure 4: CompactFlash Storage Card Signal Connector

Table 2 –Compact Flash Storage Card Pin Assignment

Pin No.	Memory card mode		I/O card mode		True IDE mode			
	Signal name	I/O	Signal name	I/O	PIO mode		Multi-word DMA mode	
					Signal name	I/O	Signal name	I/O
1	GND	—	GND	—	GND	—	GND	—
2	D3	I/O	D3	I/O	D3	I/O	D3	I/O
3	D4	I/O	D4	I/O	D4	I/O	D4	I/O
4	D5	I/O	D5	I/O	D5	I/O	D5	I/O
5	D6	I/O	D6	I/O	D6	I/O	D6	I/O
6	D7	I/O	D7	I/O	D7	I/O	D7	I/O
7	-CE1	I	-CE1	I	-CS0	I	-CS0	I
8	A10	I	A10	I	A10	I	A10	I
9	-OE	I	-OE	I	-ATASEL	I	-ATASEL	I
10	A9	I	A9	I	A9	I	A9	I
11	A8	I	A8	I	A8	I	A8	I
12	A7	I	A7	I	A7	I	A7	I
13	VCC	—	VCC	—	VCC	—	VCC	—
14	A6	I	A6	I	A6	I	A6	I
15	A5	I	A5	I	A5	I	A5	I
16	A4	I	A4	I	A4	I	A4	I
17	A3	I	A3	I	A3	I	A3	I
18	A2	I	A2	I	A2	I	A2	I
19	A1	I	A1	I	A1	I	A1	I
20	A0	I	A0	I	A0	I	A0	I
21	D0	I/O	D0	I/O	D0	I/O	D0	I/O
22	D1	I/O	D1	I/O	D1	I/O	D1	I/O
23	D2	I/O	D2	I/O	D2	I/O	D2	I/O
24	WP	O	-IOIS16	O	-IOIS16	O	-IOIS16	O
25	-CD2	O	-CD2	O	-CD2	O	-CD2	O
26	-CD1	O	-CD1	O	-CD1	O	-CD1	O
27	D11	I/O	D11	I/O	D11	I/O	D11	I/O
28	D12	I/O	D12	I/O	D12	I/O	D12	I/O
29	D13	I/O	D13	I/O	D13	I/O	D13	I/O
30	D14	I/O	D14	I/O	D14	I/O	D14	I/O
31	D15	I/O	D15	I/O	D15	I/O	D15	I/O
32	-CE2	I	-CE2	I	-CS1	I	-CS1	I
33	-VS1	O	-VS1	O	-VS1	O	-VS1	O
34	-IORD	I	-IORD	I	-IORD	I	-IORD	I
35	-IOWR	I	-IOWR	I	-IOWR	I	-IOWR	I
36	-WE	I	-WE	I	-WE	I	-WE	I
37	RDY/-BSY	O	-IREQ	O	INTRQ	O	INTRQ	O
38	VCC	—	VCC	—	VCC	—	VCC	—
39	-CSEL	I	-CSEL	I	-CSEL	I	-CSEL	I
40	-VS2	O	-VS2	O	-VS2	O	-VS2	O
41	RESET	I	RESET	I	-RESET	I	-RESET	I
42	-WAIT	O	-WAIT	O	IORDY	O	IORDY	O
43	-INPACK	O	-INPACK	O	RFU	O	DMARQ	O
44	-REG	I	-REG	I	RFU	I	-DMACK	I
45	BVD2	I/O	-SPKR	I/O	-DASP	I/O	-DASP	I/O
46	BVD1	I/O	-STSCHG	I/O	-PDIAG	I/O	-PDIAG	I/O
47	D8	I/O	D8	I/O	D8	I/O	D8	I/O
48	D9	I/O	D9	I/O	D9	I/O	D9	I/O
49	D10	I/O	D10	I/O	D10	I/O	D10	I/O
50	GND	—	GND	—	GND	—	GND	—

## Wide Temperature CompactFlash Card

---

### 3.2 Card Capacity and Cylinder, Head, Sector

The table show various capacities available for AC65 series, if your platform does not support auto-detection function or AC65 series is not identified, we advice can following below Cylinders, Heads, Sectors number to setting your platform.

Unformatted Disk Capacity	No. of Cylinders	No. of Heads	No. of Sectors	Disk Total Sector
32MB	499	4	32	63872
64MB	1002	4	32	128256
128MB	994	8	32	254464
256MB	999	16	32	511488
512MB	1017	16	63	1025136
1GB	2030	16	63	2046240
2GB	4063	16	63	4095504
4GB	8146	16	63	8211168
8GB	16253	16	63	16383024

## 4. Ordering Information

Table 3: CompactFlash Storage Card Ordering Information

P/N	Capacity (Max)
AC65-0320 1R04XX	8GB

\*1 : 0320:32MB, 0640:64MB, 1280:128MB, 2560:256MB, 5120:512MB, 1030:1GB, 2030:2GB, 4030:4GB, 8030:8GB